

SYSTEMS FOR PUMPING AND IRRIGATION



Nettuno
ZEUS[®]
motorpumps

SELF-PRIMING
CENTRIFUGAL
MOTOR PUMPS



www.nettuno-irrigazione.com

 EN 2015



The ZEUS series self-priming centrifugal motor pumps are designed to treat clean water, waste water and sewage containing solids in suspension.

Self-priming capability allows use of these pumps without filling the suction pipe and avoid the bottom valve. Therefore they can be easily used in portable version with electric motors or internal combustion engines, or when suction is required from tanks, deep or distant channels.

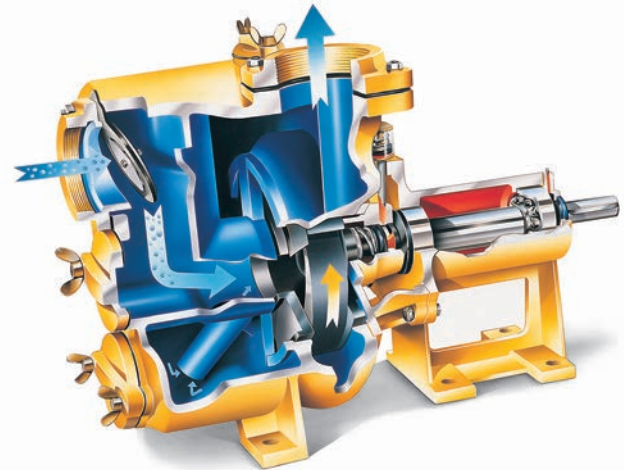
Features:

- Fast self-priming without bottom valve up to a height corresponding to 7.5 m/25 ft.
- High resistance to abrasive liquids: murky, muddy, sandy water with solids in suspension.
- Two rooms accessible for collecting impurities up to 50 mm/2".

Motorpumps suitable for
pumping fresh water,
clean water, chemically
and mechanically
non-aggressive

Construction features

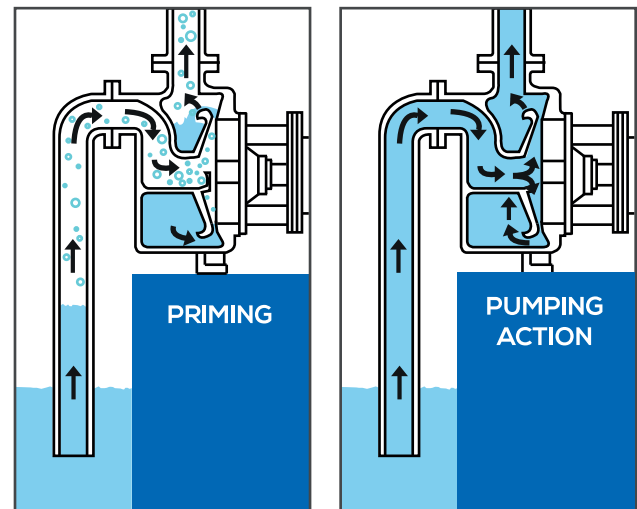
- Cast iron body and impeller in spheroidal cast iron.
- Mechanical seal in silicon carbide coated with nitrile rubber, grease lubricated.
- Front and rear wear plates covered with rubber.
- Fuel tank capacity up to 120 litres.
- Mechanical support legs, tow bar, reinforced axial and wheels with radial tyres.



SELF-PRIMING CENTRIFUGAL MOTOR PUMPS

Self-priming is the ability to suck air in the suction pipe when starting up the pump. This occurs by causing heavy fluid turbulence inside the pump body. Therefore, it is necessary to fill in advance, through the suitable upper door, the pump casing with the liquid to be pumped.

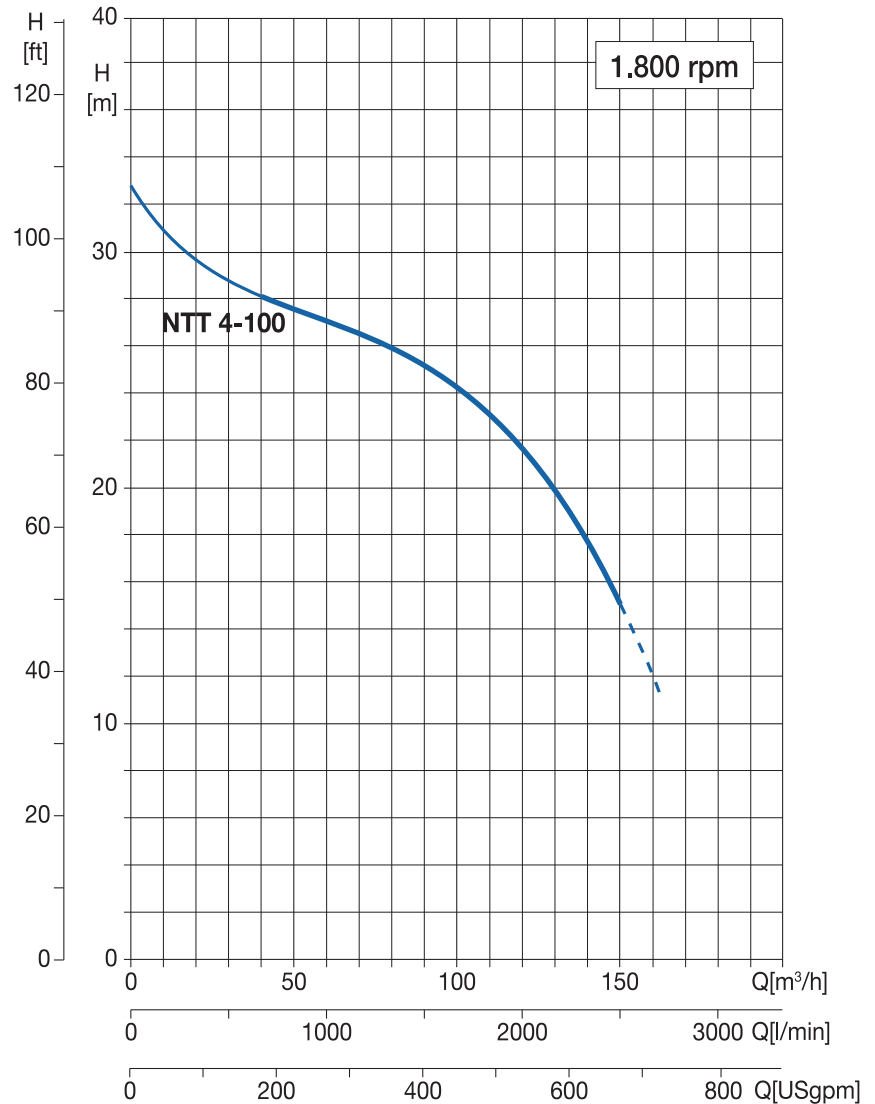
The commissioning of the impeller develops a turbulent circuit between the inlet and outlet areas of the impeller that causes air transportation from the discharge suction pipe. Here the air is separated due to sharp decrease of speed. All self-priming pumps are able to create a depression. This depression is widely enough to ensure, during pumping, a proper operation of the device.



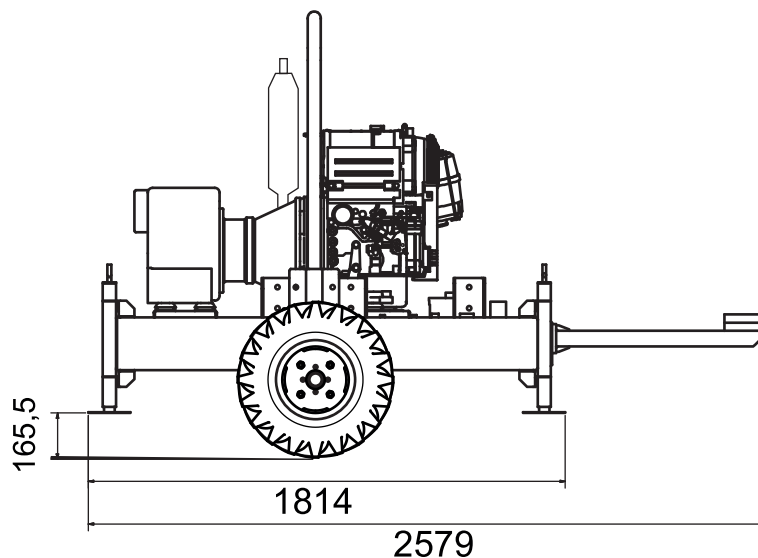
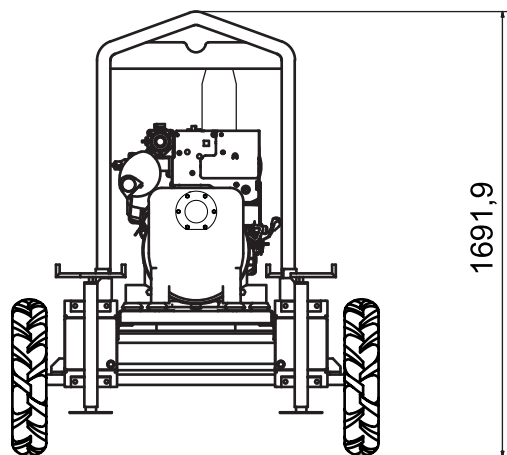
NETTUNO PUMPS

Depending on the characteristics of the liquid to be pumped, different materials are used to manufacture the pump, to ensure its maximum durability and efficiency.

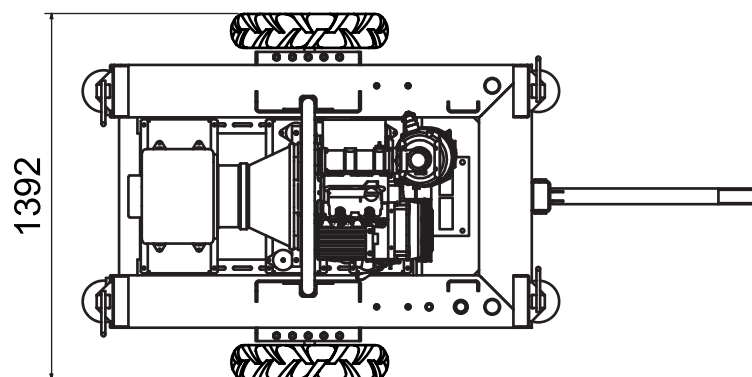
PUMP	
Brand	NETTUNO
Type	NTT 4-100
Dna	4"
DNm	4"
N° of impellers	1



Dimensions

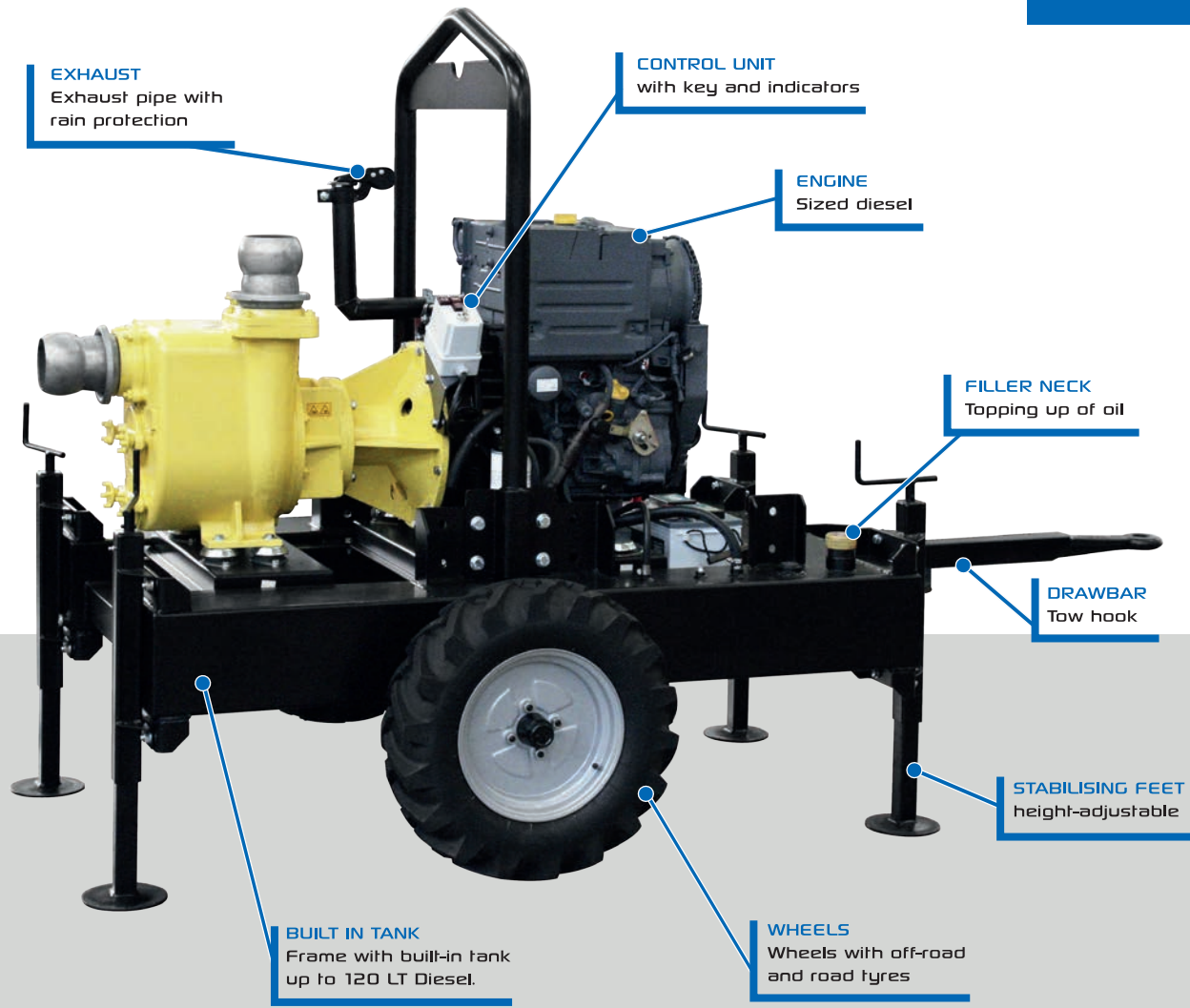


Nettuno®
mounts, for the
ZEUS series, first
choice motors





ZEUS



EXHAUST
Exhaust pipe with rain protection

CONTROL UNIT
with key and indicators

ENGINE
Sized diesel

FILLER NECK
Topping up of oil

DRAWBAR
Tow hook

STABILISING FEET
height-adjustable

BUILT IN TANK
Frame with built-in tank up to 120 LT Diesel.

WHEELS
Wheels with off-road and road tyres

Following is the summary table of the pump ZEUS with some configuration examples.
Upon request, however, you can set up the machine with components of different brands

NETTUNO PUMP						ENGINE		
MODEL	SUCTION AND DELIVERY	PERFORMANCES (Q: l/min _ H: mt)				ENGINE	CYL.	RPM
NTT 2-050	50 mm 2"	166	250	416	666	Lombardini 25LD425/2	2	3000
		59	58	54	44			
NTT 3-080-L2	80 mm 3"	250	416	666	1000	Lombardini 11LD626/3	3	3000
		71	68	64	52			
NTT 3-080-L3	80 mm 3"	333	666	1166	1500	Lombardini 12LD477-2	2	2000
		28	26,5	23,5	18			
NTT 4-100-L2	100 mm 4"	666	1166	1666	2500	Lombardini 12LD477-2	2	2500
		19,8	19,1	18,2	10			
NTT 4-100	100 mm 4"	666	1166	1666	2500	VM SUN2105E2	2	2000
		33	30	27,5	20			
NTT 4-100-L3	100 mm 4"	833	1333	2000	3000	VM SUN3105TE2	3T	1800
		45	44	41,5	30			
NTT 5-125-L2	125 mm 5"	1000	2000	2500	3300	Lombardini 9LD625/2	2	2000
		14,5	13,5	11,5	7			



NETTUNO PUMP						ENGINE		
MODEL	SUCTION AND DELIVERY	PERFORMANCES (Q: l/min _ H: mt)				ENGINE	CYL.	RPM
NTT 5-125-L3	125 mm 5"	1000	2000	2500	3300	Lombardini 11LD626/3	3	2200
		18	16	14,5	11			
NTT 6-150	150 mm 6"	1333	2000	3300	5000	VM SUN2105E2	2	1750
		23,5	22	17	10			
NTT 6-150-D6	150 mm 6"	2000	4000	4500	6000	DEUTZ BF6L914	6	1800
		58	56	54	48			
NTT 8-200-L3	200 mm 8"	1666	3300	5800	7500	VM SUN3105TE2	3T	1600
		24,6	23	18,5	14			
NTT 10-250-L3	250 mm 10"	3330	5830	8333	10000	VM SUN3105TE2	3T	1600
		23	19,5	16,5	12			
NTT 12-300-D6	300 mm 12"	5000	7500	12000	20000	Deutz F6L914	6	1000
		17	15,5	13,5	8,5			
NTT 12-300-D6	300 mm 12"	5000	7500	12000	22000	Deutz F6L914	6	1200
		25	23,5	21,5	12,5			

The data contained herein are purely nominal and refer to the standard equipment of the machine and are not binding. Visa S.p.A. reserves the right to change information without notice, in line with its policy of constant development and improvement.

STANDARD EQUIPMENT:



CONTROL UNIT:

The electric standard start-up of the motor provides a simple board with key to start the engine, oil pressure warning light and warning light alternator charge.



RADIAL TYRE:

Two-wheeled frame with handle for manual shifting. Recoil starter.

Radial tyres which enhance the uniformity of distribution of ground pressure and increased stability of the trailer



BUILT-IN TANK:

70l diesel built-in tank (various versions available)

Oil tank with full preloaded





NETTUNO is a trademark of VISA S.p.A.®

via 1° Maggio, 55 . 31043

Fontanelle (TV) ITALY

Phone. +39 0422 5092

fax. +39 0422 509356

email: info@nettuno-irrigazione.com

web: www.nettuno-irrigazione.com

P.IVA IT02134890264

cap. soc. € 10.000.000,00 i.v.

**MOTOPOMPE - IRRIGATORI - GRUPPI ELETTOGENI - TORRI DI ILLUMINAZIONE
MOTORPUMPS - HOSE REEL IRRIGATORS - GENERATING SETS - LIGHTING TOWERS
MOTORPUMPEAGGREGATE - BEREGNUNGSMASCHINEN - STROMAGGREGATE - LICHTMASTEN
MOTORPOMPEN - BEREGENINGSHASPELS - STROOMAGGREGATEN - LICHTMASTEN
НАСОСНЫЕ СТАНЦИИ - ДОЖДЕВАЛЬНЫЕ МАШИНЫ - ЭЛЕКТРОГЕНЕРАТОРЫ - ОСВЕТИТЕЛЬНЫЕ МАЧТЫ**